

For more details, please contact our Carrier India sales office:
Factory & Corporate Office: Carrier Airconditioning & Refrigeration Ltd, Kherki Daula Post, Narsingpur, Gurgaon 122004. Tel: 0124 - 482 5500
DELHI 0124 - 4707333; **GHAZIABAD** 0120-4183280; **LUCKNOW** 0522 - 2202346, 2230598; **CHANDIGARH** 0172 - 500 7548/ 50; **JAIPUR** 0141 - 511 3444, 511 3999; **NAGPUR** 0712 - 663 0214, 645 3790; **AHMEDABAD** Tel: 079 - 4028 7777; **PUNE** 020 - 41051000/ 02025437741;
MUMBAI 022 - 2652 8989, 2654 1755; **INDORE** 0731-4070378; **PATNA** 0612 - 232 3517; **KOLKATTA** 033 - 4020 1300; **BHUVANESHWAR** 0674 - 258 7178/ 258 5893; **HYDERABAD** 040 - 4546 2888; **BANGALORE** 80 43442000; **COIMBATORE** 0422 - 438 4151, 438 5403; **COCHIN** 0484 - 402 9001/ 0; **CHENNAI** 044 - 4222 2888

www.carrierindia.com / email: bssindia@carrier.utc.com



The Manufacturer reserves the right to change any product specifications without prior notices
 • All Rights Reserved Carrier



42CE

Fan Coil Unit

Air Volume: 510~2380m³/h

Low Height • Low Noise





Carrier

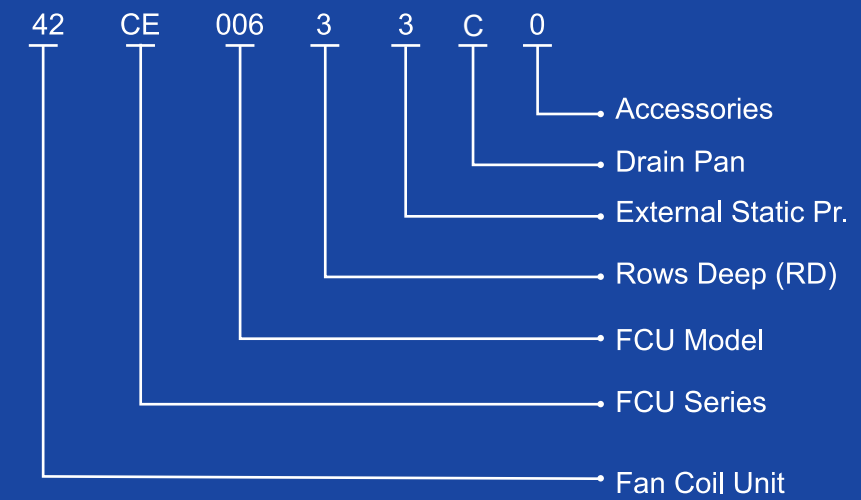
Carrier Corporation is a subsidiary of the United Technologies Corp. (UTC), which ranks the 150th in Fortune Top 500 in 2011 and has its operations in aerospace and building systems industries all over the world.

From the time the founder Dr. Willis H. Carrier invented the first system of modern air conditioning in 1902, Carrier has been the world leader in the air conditioning industry with its products and system solutions supplied to numerous famous buildings, and up to now, the network of distribution cover more than 170 countries all over the world.

In 2011, Carrier ranked top in the HVAC industry field with its sales revenue of US \$12 billion.



42CE FCU Nomenclature :



✔ DIGIT NO. 1,2
product series
42 : fan coil unit

✔ DIGIT NO. 3,4
model letters
CE : horizontal ceiling FCU

✔ DIGIT NO. 5,6,7
unit size (airflow=unit size × 170 m³/h)
003 : 510m³/h
004 : 680m³/h

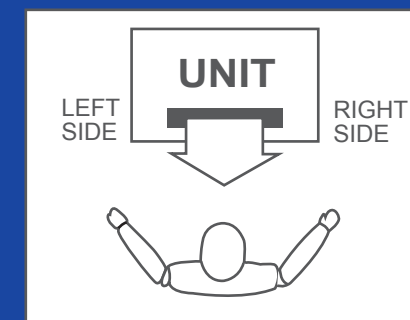
✔ DIGIT NO. 8
coil rows
3 : 3 row

✔ DIGIT NO. 9
external static pressure
3 : 30 Pa
5 : 50 Pa

✔ DIGIT NO. 10
drain pan
C : standard with auxiliary stainless steel drain pan
D : standard with auxiliary galvanised iron drain pan

✔ DIGIT NO. 11
accessories
0 : No valve package
2 : 2 way valve package*
3 : 3 way valve package*

Coil Hand off connection side



*2way/3way valve package is with ball valve with strainer at water inlet and ball valve at water outlet.

42CE - Product features

Excellent performance and efficiency

42CE Fan Coil Units are the new energy saving products improved with advanced technology by Carrier. The units have advanced technology of low noise fan, air condition manufacture process and the last lanced sine wave fin.

42CE is developed to be an ultra-tranquil, high efficiency, convenient using and compact configuration product.

Ultra-tranquil

The units use the wide wheels of latest design low speed, DIDW centrifugal forward curved blower with specially designed motor to ensure the air quantity with low noise.

An additional accoustic insulation further reduced the unit noise by 2-5dB (A).



High efficiency

Aluminum lanced sine wave fin coils with copper tubing assure highly efficient heat transfer between primary and secondary coil surfaces.



Ultra thin

The unit height is only 241mm so that they can save installation space and meet the requirement of all kinds of situations.

Agile selection

- ✔ The 42CE fan coil unit is offered with return air plenum with nylon filter and auxiliary GI drain pan as a standard feature.
- ✔ The auxiliary drain pan is ideal to collect the condensate from the control valve & isolation valve and could be offered in stainless steel as an option.
- ✔ This design offers the compact sizing and in turn saving false ceiling space.

Beside the characteristic above, the units have more development below

- ✔ The latest noise eliminated fiberglass insulation assure not only the good appearance and perfect performance but also well-insulated performance measuring up the international standard under the testing of most abominable sweat condition.
- ✔ The standard units are with 30Pa external static pressure and could be offered with 50Pa ESP as an option.
- ✔ Return air plenum has flexibility to be interchanged from rear to bottom at site.
- ✔ Isolation ball valves are provided at both inlet and outlet, with a stainer at the inlet. These valves are interchangeable with copper piping at the factory to enable ease of connection at the site. Valve Package is fitted with 2way / 3way, On/Off type, spring return control valve.

Options



Remote Controller



Technical Parameter

TECHNICAL DATA

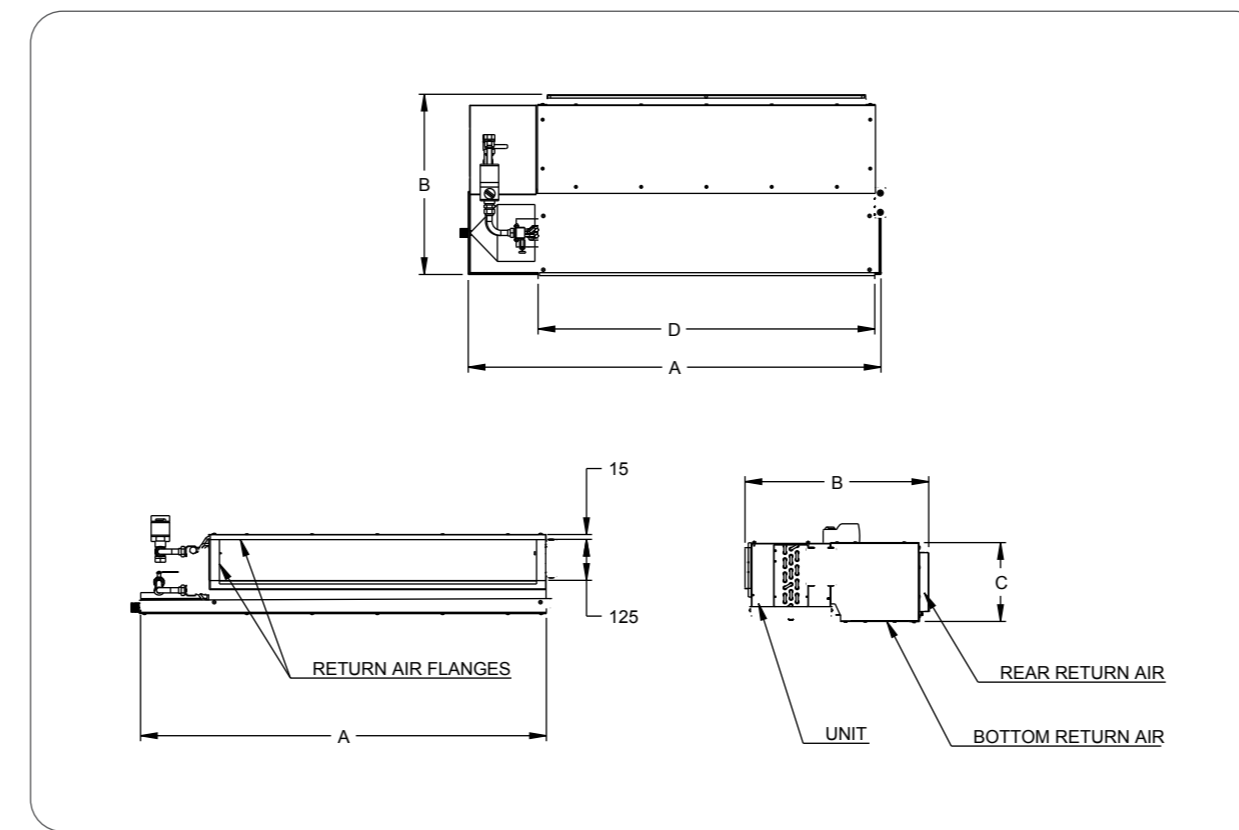
Performance		Model	003	004	006	008	010	012	014
Air Volume m ³ /h	HIGH		510	680	1020	1360	1700	2040	2380
	MED		405	535	790	1060	1360	1595	1904
	LOW		305	405	585	790	1020	1180	1428
Cooling Capacity		W	3200	4150	6200	8100	9800	11500	13500
Heating Capacity		W	5100	6450	9300	12500	15200	17200	20500
Power Input	W								
	30 Pa		52	72	102	155	172	210	240
	50 Pa		63	84	112	174	195	236	290
Noise dB(A)	30 Pa	HIGH	41	44	47	48	49	50	53
		MED	36	37	43	43	43	44	49
		LOW	31	31	35	36	38	37	42
	50 Pa	HIGH	44	46	50	50	51	52	53
		MED	40	41	43	47	46	47	49
		LOW	32	35	38	42	40	41	44
Water Flow	l/min	9.2	11.9	17.8	23.2	28.1	32.9	38.6	
Water Drop	KPa	21	30	32	28	40	40	50	
Fan	Type	Centrifugal forward-curved Blades							
Motor	Type	Permanent Split Capacitor							
Coil	Row	3							
	Working Pressure	1.6 MPa							
CONNS	In-Out	3/4" FPT							
	Condensing Drain	3/4" MPT							
Net Weight	Kg	19.5	23	27.5	36	39	44	51	
Options	2way/3way Motorized Valve								

- Note:
- The data is the performance in high speed with relevant static pressure.
 - Cooling Conditions: Entering Water 7 °C, Temperature Rise 5 °C, Entering Air Temperature 27 °C DB, 19.5 °C WB.
Heating Conditions: Water flow as the cooling conditions.
 - The noise is tested in the anechoic test room, measured with a fine audiometer located 1 meter away from the unit front panel and the unit bottom panel.

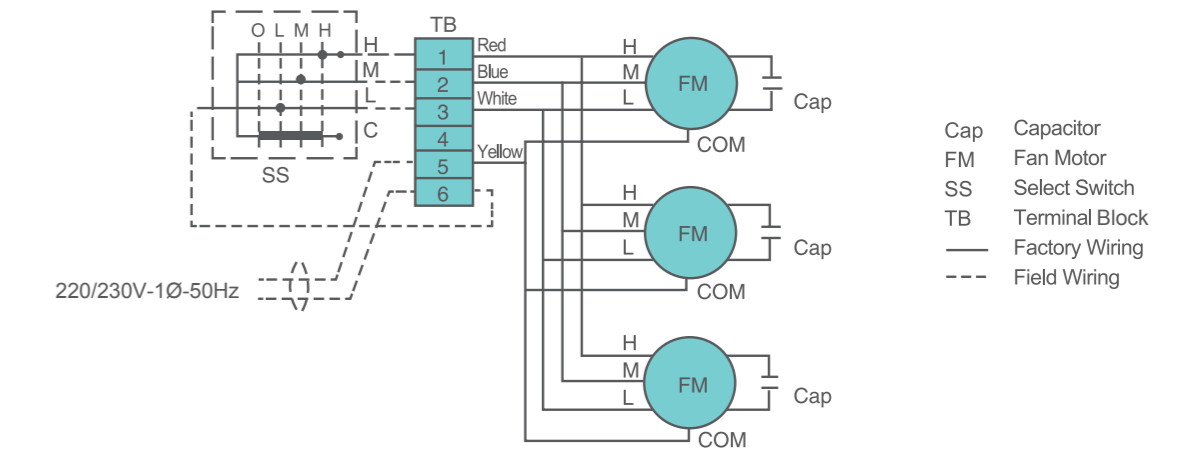
Dimensions

42CE Fan Coil Unit

Model	Dimension (mm)			
	A	B	C	D
	Length	Depth	Height	Mouth Size
42CE003	855	566	241	630
42CE004	975	566	241	750
42CE006	1255	566	241	1050
42CE008	1495	566	241	1270
42CE010	1650	566	241	1390
42CE012	1855	566	241	1630
42CE014	2095	566	241	1870



Electric Diagram



Power:220/230V-1Ø-50Hz

Type	003	004	006	008	010	012	014
Power Input (w)	30Pa	52	72	102	155	172	210
	50Pa	63	84	112	174	195	236
Current(A)	30Pa	0.24	0.33	0.46	0.70	0.78	0.95
	50Pa	0.29	0.38	0.51	0.79	0.89	1.07